

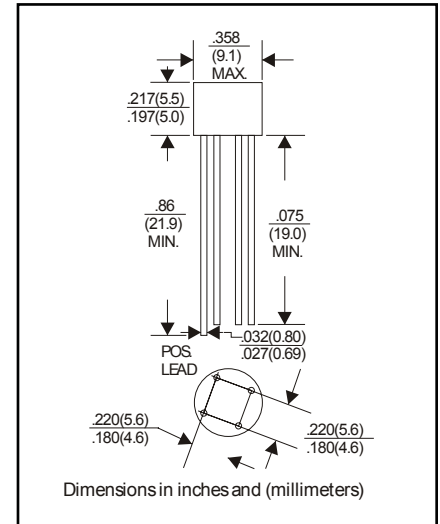
SINGLE PHASE BRIDGE RECTIFIER

FEATURES

- Glass Passivated Chip
- This series is UL recognized
- High forward surge current capability
Ideal for printed circuit board
- High temperature soldering guaranteed: 260 °C/10 second, 0.375”(9.5mm) lead length at 5 lbs. (2.3kg) tension

MECHANICAL DATA

- Case: Molded plastic body
- Terminal: Lead solderable per MIL-STD-202E method 208C.
- Polarity: Polarity symbols molded on case
- Mounting position: Any
- Weight: 0.042ounce, 1.2grams



MAXIMUM RATINGS AND ELECTRICAL CHARACTERISTICS

Ratings at 25 °C ambient temperature unless otherwise specified. Single phase, half wave, 60Hz, resistive or inductive load. For capacitive load derate current by 20%.

	SYMBOLS	W005M	W01M	W02M	W04M	W06M	W08M	W10M	UNITS
Maximum Repetitive Peak Reverse Voltage	V_{RRM}	50	100	200	400	600	800	1000	Volts
Maximum RMS Voltage	V_{RMS}	35	70	140	280	420	560	700	Volts
Maximum DC Blocking Voltage	V_{DC}	50	100	200	400	600	800	1000	Volts
Maximum Average Forward Rectified Output Current, at $T_A = 50^\circ\text{C}$	$I_{(AV)}$	1.5							Amps
Peak Forward Surge Current 8.3ms single half sine-wave superimposed on rated load (JEDEC Method)	I_{FSM}	50							Amps
Maximum Instantaneous Forward Voltage at 1.0A	V_F	1.0							Volts
Maximum DC Reverse Current at rated DC blocking voltage	$T_A = 25^\circ\text{C}$	I_R							μAmps
	$T_A = 100^\circ\text{C}$	0.5							mAmps
Typical Junction Capacitance(Note1)	C_J	15							pF
Typical Thermal Resistance(Note2)	$R_{\theta JA}$	40							$^\circ\text{C/W}$
Operating Temperature Range	T_J	-55 to +150							$^\circ\text{C}$
Storage Temperature Range	T_{STG}	-55 to +150							$^\circ\text{C}$

NOTES:

1. Measured at 1.0MHz and applied reverse voltage of 4.0 volts.
2. Unit mounted on P.C. board with 0.22”×0.22”(5.5×5.5mm)copper pads, 0.375”(9.5mm)lead length.



SINGLE PHASE BRIDGE RECTIFIER

W005M - W10M

VOLTAGE RANGE - 50 to 1000 V
CURRENT - 1.5 A

RATING AND CHARACTERISTIC CURVES W005M - W10M

FIG.1- DERATING CURVE FOR
OUTPUT RECTIFIED CURRENT

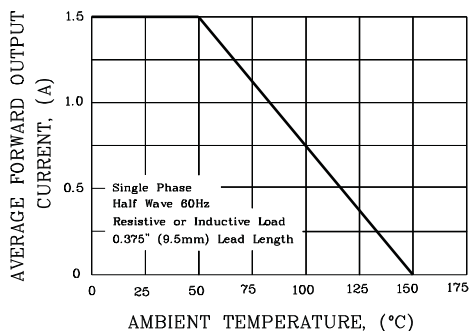


FIG.2- MAXIMUM NON-REPETITIVE PEAK
FORWARD SURGE CURRENT PER ELEMENT

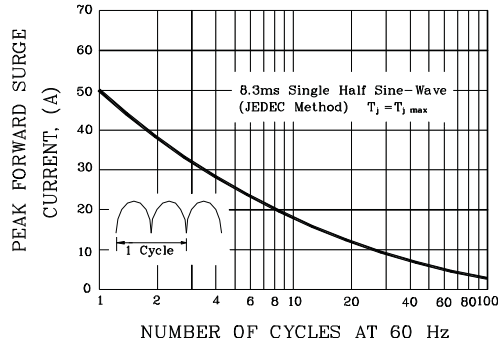


FIG.3- TYPICAL FORWARD CHARACTERISTICS
PER BRIDGE ELEMENT

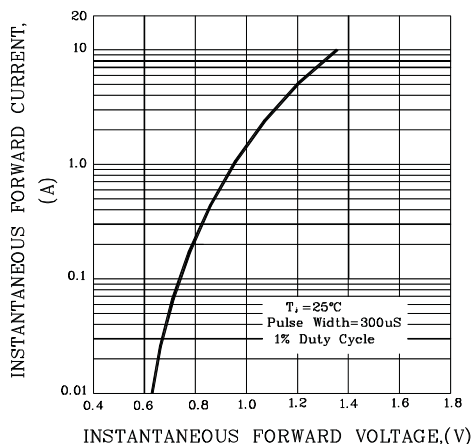


FIG.4- TYPICAL REVERSE CHARACTERISTICS
PER BRIDGE ELEMENT

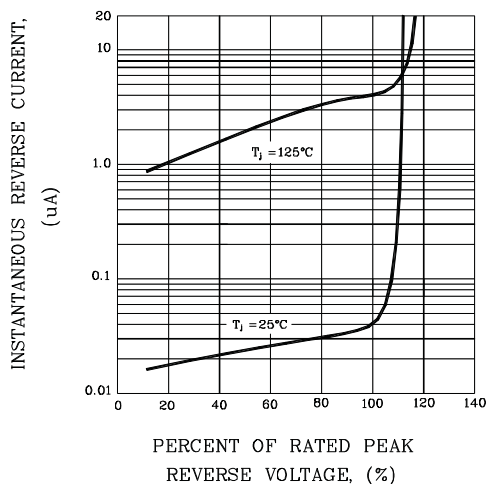


FIG.5- TYPICAL JUNCTION CAPACITANCE
PER BRIDGE ELEMENT

