

# 承認書

## SPECIFICATION FOR APPROVAL

客戶(Customer):

Динамик

d=10mm 8 Ом металл для навигатора

客戶型號(ITEM P/N):

0.5W

型號(Supplier P/N):

10MM

產品名稱(Description):

喇叭 (Speaker)

產品規格(Specification):

8Ω ,

客戶承認欄 (Customer Authorization Signature)	承認欄 (Supplier Audit)		
	審核	檢查	制作
	日期: 2018 年 10 月 20 日		
版次: A			

**Shenzhen Rui Chi electronic Co., Ltd**

**TEL: 0755-23956133**

**FAX: 0755-23956122**

Model No.	d=10mm 8 Ом металл для навигатора 0.5W	1 / 6
-----------	--	-------

## 產品規格內容 (SPECIFICATION)

### 1. 使用範圍 (Scope)

此份規格書是針對多媒體產品內，所使用的微型揚聲器單體所提出的報告。

This specification covers our product of miniature speaker unit for multimedia product.

### 2. 标准测试条件 (Test condition)

一般规格试验状态 (特殊要求除外): 常温 5~35℃, 常湿 45%~85%, 气压 860~1060hPa.

判定上有疑问时, 试验状态为: 温度 20±2℃, 相对湿度 60%~70%, 气压 860~1060 hPa.

The test conditions unless otherwise specified should be normal temperature 5 to 35 °C, Normal humidity 45 to 85% and normal atmospheric pressure 860 to 1060 hPa, However, if there arises a doubt in judgment, the test conditions shall be as follows:

Temperature 20±2℃

Humidity 60%~70%

Atmosphere 860~1060 hPa

### 3. 電聲特性 (ELECTRO-ACOUSTIC CHARACTERISTICS)

#### 3.1 額定阻抗 (Rated Impedance):

8Ω ± 15% (AT 1.6K Hz, 1.0 Vrms)

#### 3.2 額定輸入功率 (Rated Input Power)

0.5 Watt (At 1.8 Vrms white noise 96 Hours)

#### 3.3 最大輸入功率 (Max. Input Power)

0.5Watt

#### 3.4 最低共振頻率 (Resonant Frequency)

1000 Hz ± 20%

#### 3.5 輸出音壓 (Output S.P.L)

80 ± 3dB (1.0 Watt, 0.1 Meter. Average at 1.5K, 2.0K, 2.5K, 3.0K Hz)

#### 3.6 實效頻率範圍 (Frequency Range)

Fo ~ 20KHz (By Output S.P.L. -10dB)

#### 3.7 失真率 (Distortion)

Less than 5% (At 1.6KHz, 2.0 Vrms)

#### 3.8 工作溫度 (Operating Temperature)

-25℃ ~ +50℃

#### 3.9 儲存溫度 (Storage temperature)

-25℃ ~ +55℃

制 定	审 核	核 准	文 件 编 号

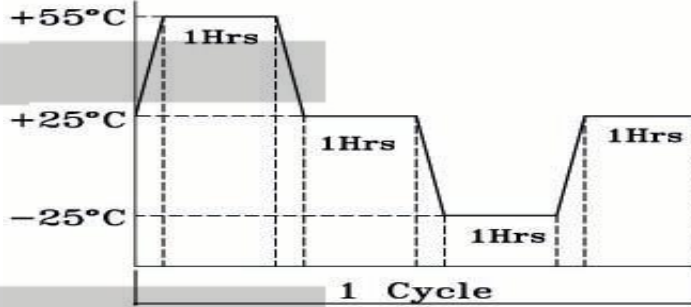
Model No.

d=10mm 8 Ом металл для навигатора 0.5W

2 / 6

4. 可靠性測試 (Reliability Test)

4.1 高低溫差循環測試(Temperature Cycling Test)



A	Low Temperature (-25°C±3°C)
B	High Temperature (+55°C±3°C)
C	Number of Cycle (3 Cycles)
D	Duration of Exposure 1 Hours, at Each Temperature Extremes
E	Duration of Recovery 1 Hours

4.2 抗濕度試驗(Humidity Test)

A	相對濕度(Relative Humidity)	90-95% at + 40°C ± 3°C
B	測試時間(Durations)	96 Hours
C	恢覆時間(Durations of recovery)	6 Hours

4.3 連續負載測試(Load Test)

White Noise Without Weighted Filter 2.0Volts.(RMS) 96 Hrs.

4.4 跌落試驗(Drop Test)

75 cm Free Falling On Concrete Floor, 10 Times.

4.5 異常音測試(Buzzes & Rattles)

Sine wave between at 2.0Vrms / 50~5000Hz

4.6 極性測試(Polarity test)

Diaphragm Shall Move Forward When Apply a Positive DC. Current to the “+”or “Marked” Terminal.

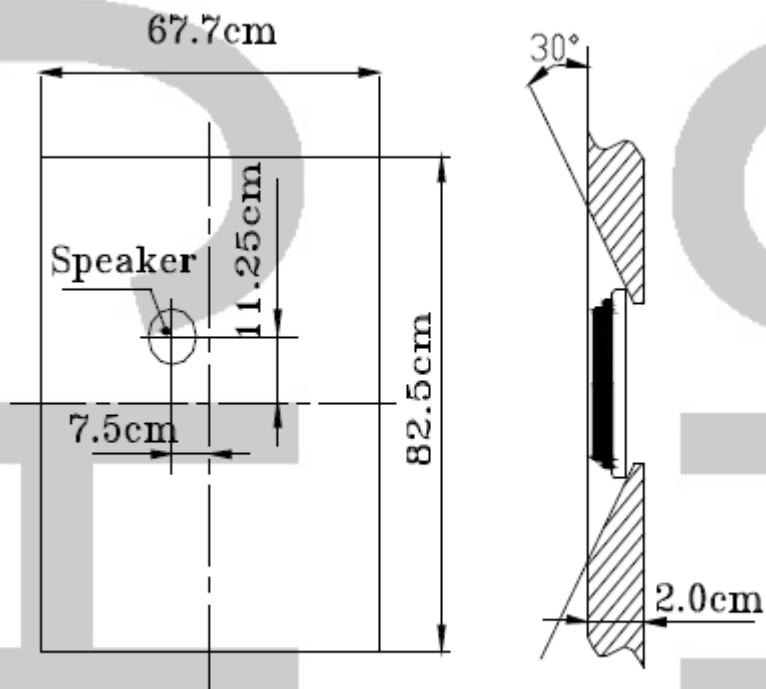
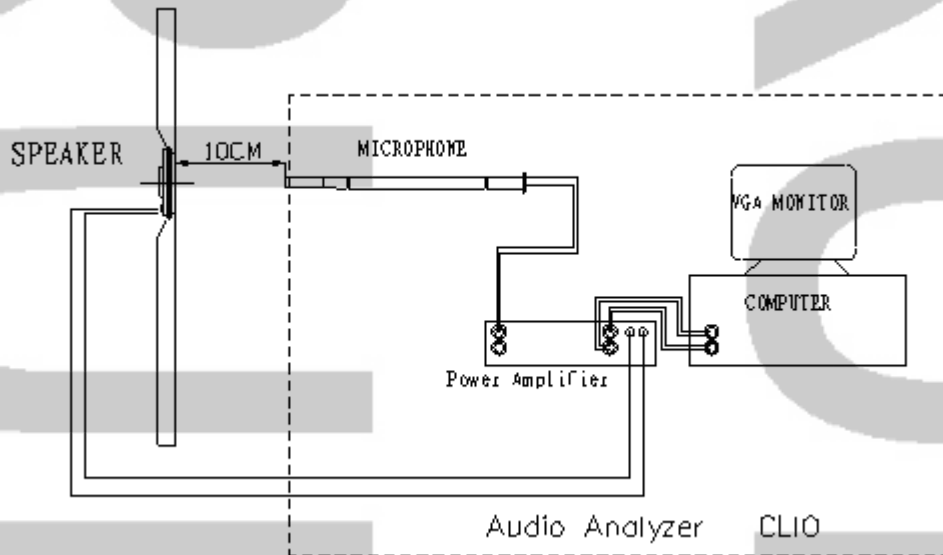
產品規格內容 (SPECIFICATION)

Model No.

d=10mm 8 Ом металл для навигатора 0.5W

3 / 6

5.測量方式 (Measurement Method)



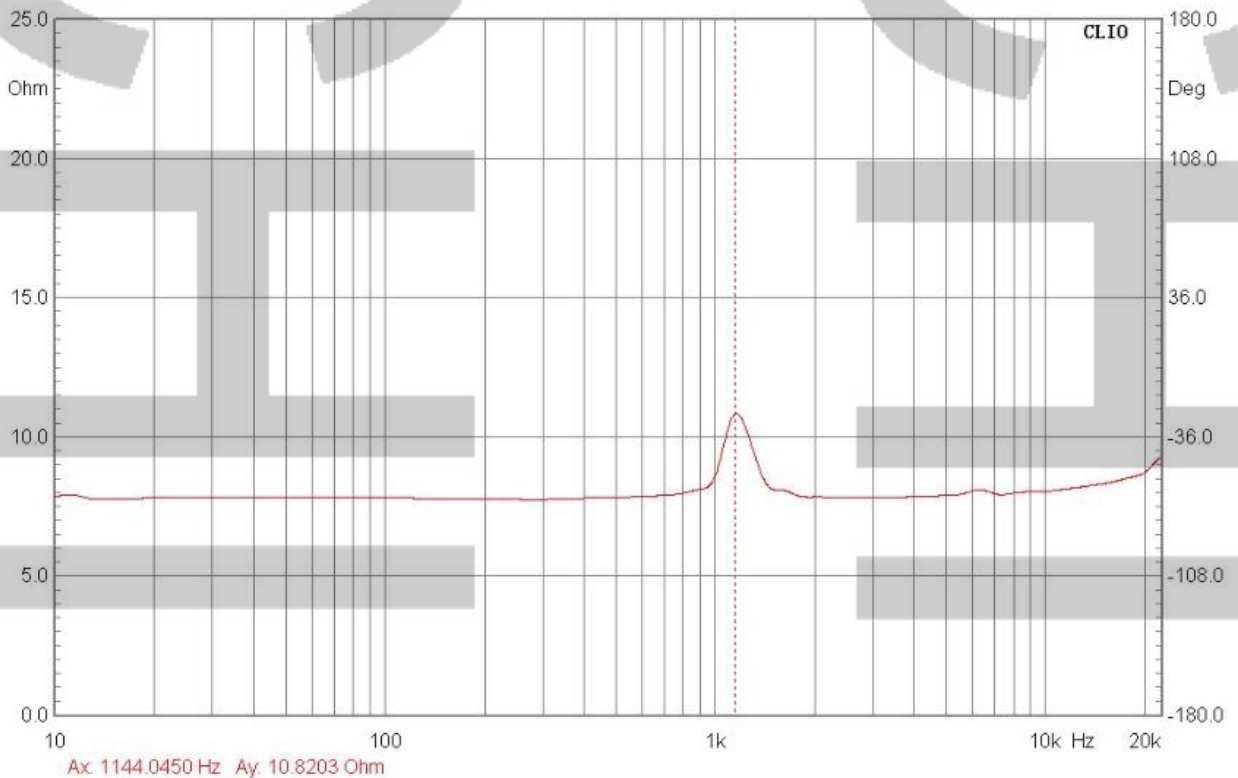
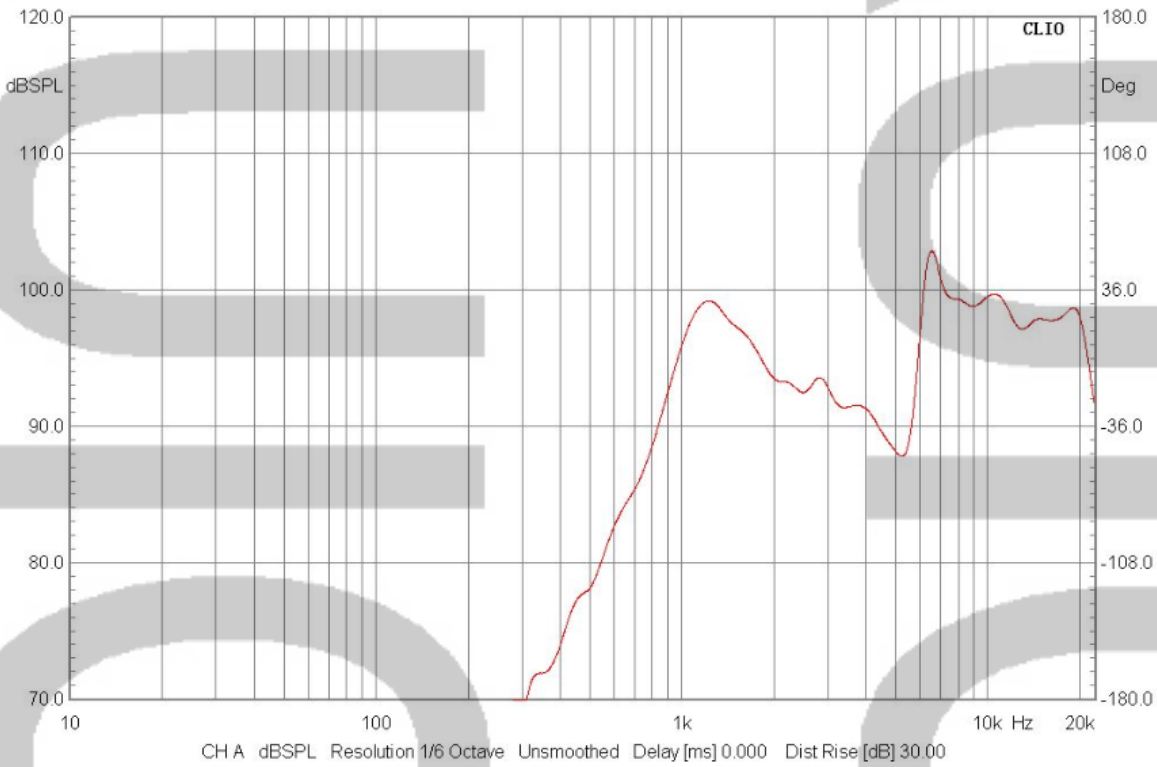
# 產品規格內容 (SPECIFICATION)

Model No.

d=10mm 8 Ом металл для навигатора 0.5W

4/6

## 6. 頻率響應曲線圖(Frequency Response Curve)

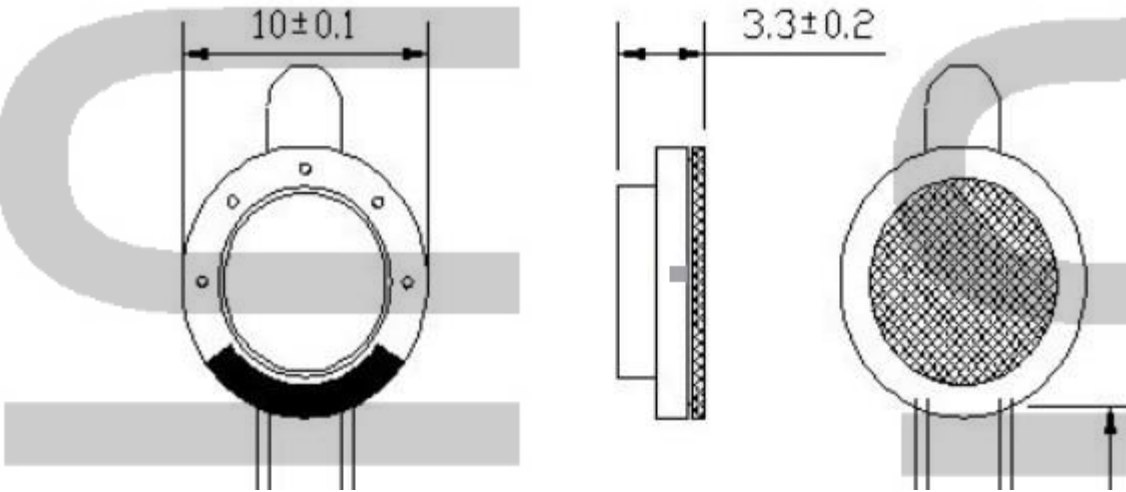


Model No. d=10mm 8 Ом металл для навигатора 0.5W

5 / 6

8. 喇叭外觀描述

(Unit:mm tolerance:±0.3)



**RUICHI**

產品規格內容 (SPECIFICATION)

Model No.

d=10mm 8 Ом металл для навигатора 0.5W

6/6

9. 包裝示意圖(Packing Standard):

(Unit:cm tolerance:±3)

64PCS SPEAKERS/1 LAYER

1280PCS SPEAKERS/1 CARTON(11 LAYERS)

