

SPECIFICATION

SHEET FOR APPROVAL

CUSTOMER:

CUSTOMER MODEL NO:

PRODUCTS: SPEAKER

MODEL: Д и н а м и к 15x11мм 8 Ом 1W

DATE: 2014-3-1

MODEL NO: 15*11 8Ω 1.0W 3.5H L=15mm

APPROVED	CHECKED	DESIGNED

CUSTOMER APPROVED

SIGNATURE	IMPRINTMENT

Shenzhen Rui Chi electronic Co., Ltd

TEL: 0755-23956133

FAX: 0755-23956122

RUICHI

SPECIFICATIONS

4-1

TYPE NO.

Динамик 15x11мм 8 Ом 1W

1. PRODUCT OUTLINE

1-1 SCOPE	This specification is a typical speaker unit for telephone hand set
1-2 DIMENSIONS	As shown in fig (1)
1-3 NET WEIGHT	APPROX. 1.2 grams
1-4 OPERATING TEMPERATURE	-30°C to +70°C
1-5 STORAGE TEMPERATURE	-40°C to +85°C

2. ELECTROACOUSTIC CHARACTERISTICS

2-1 TEST SET UP	Measuring conditions and procedures shown in fig(2)
2-2 IMPEDANCE	$8\Omega \pm 15\%$ ohm (at 2 KHz, 0.9Vrms)
2-3 SOUND PRESSURE LEVEL	90dB ± 3 dB SPL /0.1W/10mm at 500、800、1000、1200Hz .AVE
2-4 FREQUENCY RESPONSE	$900 \pm 20\%$ HZ
2-5 INPUT POWER (NOM. /MAX.)	0.8W/1.2W
2-6 AUDIBLE NOISE	Must be free audible noise (buzzes and rattles) (350 ~ 10KHz frequency range , input level up to 2.53Vrms)
2-7 DISTORTION	Less than 10% at 1KHz 0.8W

C H A N G E S						
	NO.	DATE	BEFORE	AFTER	REASON OF CHANGE	SIGN.

RUICHI

SPECIFICATIONS

4-2

TYPE NO.

Динамик 15x11мм 8 Ом 1W

3.RELIABLE TEST

3-1 GENERAL

After any following tests the response at 1 KHz shall not deviate more than ± 3 dB from the initial value

3-2 LOAD TEST

Input power: 0.8 W ,white noise 48 hours

3-3 HUMIDITY TEST

Temperature: $+40^{\circ}\text{C} \pm 2^{\circ}\text{C}$ Relative Humidity: 90%~95%
Duration: 48 hours (recovery 6 hours)

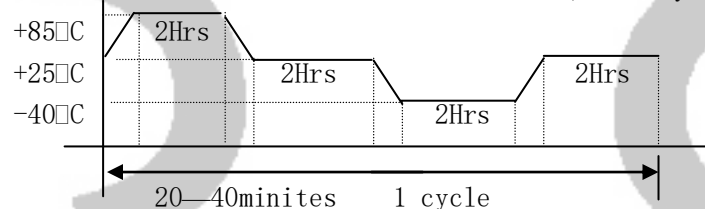
3-4 DROP TEST

Height: 1.0M
Cycle: 10cycles

3-5 VIBRATION TEST

Frequency: 10-55Hz. Amplitude: 1.5mm
Duration: 2 hours in each 3axes

3-6 TEMPERATURE SHOCK TEST

Temperature: $-40^{\circ}\text{C} \pm 3^{\circ}\text{C}$ \longleftrightarrow $+85^{\circ}\text{C} \pm 3^{\circ}\text{C}$ Cycle: 20 cycles
Duration: 2 hour 2 hour (recovery 2 hours)

3-7 HIGH TEMPERATURE TEST

Temperature: $+85^{\circ}\text{C} \pm 3^{\circ}\text{C}$
Duration: 48 hours

3-8 LOW TEMPERATURE TEST

Temperature: $-40^{\circ}\text{C} \pm 3^{\circ}\text{C}$
Duration: 48 hours

3-9 TERMINAL STRENGTH TEST

Load : 1.0Kg
Duration: 15sec. (Shall be normal)

CHANGES						
	NO.	DATE	BEFORE	AFTER	REASON OF CHANGE	SIGN.

RUICHI

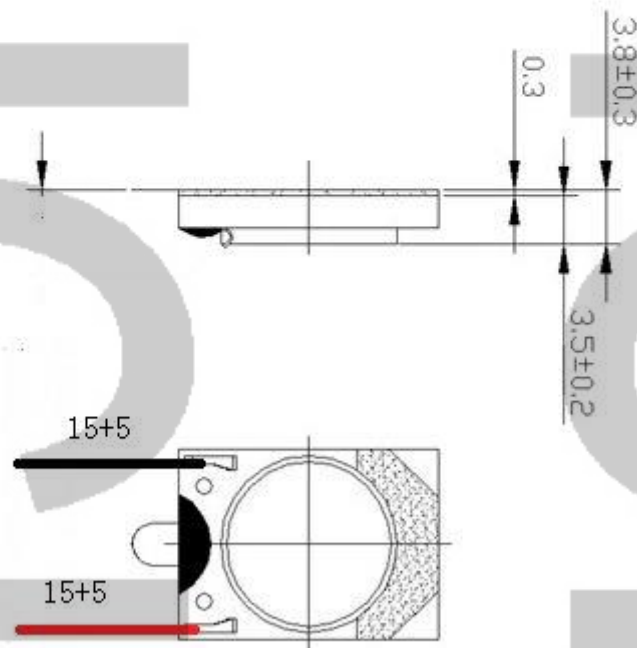
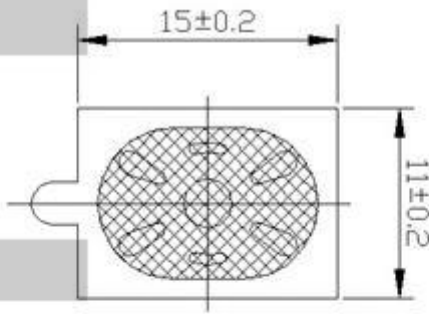
SPECIFICATIONS

4-3

TYPE NO.

Динамик 15x11мм 8 Ом 1W

4.DIMENSIONS (fig. 1)



单位:mm

C H A N G E S						
	NO.	DATE	BEFORE	AFTER	REASON OF CHANGE	SIGN.

RUIGHI

SPECIFICATIONS

4-4

TYPE NO.

Динамик 15x11мм 8 Ом 1W

6.FREQUENCY RESPONSE CURVE (fig.3)

08/27/2010 09:41

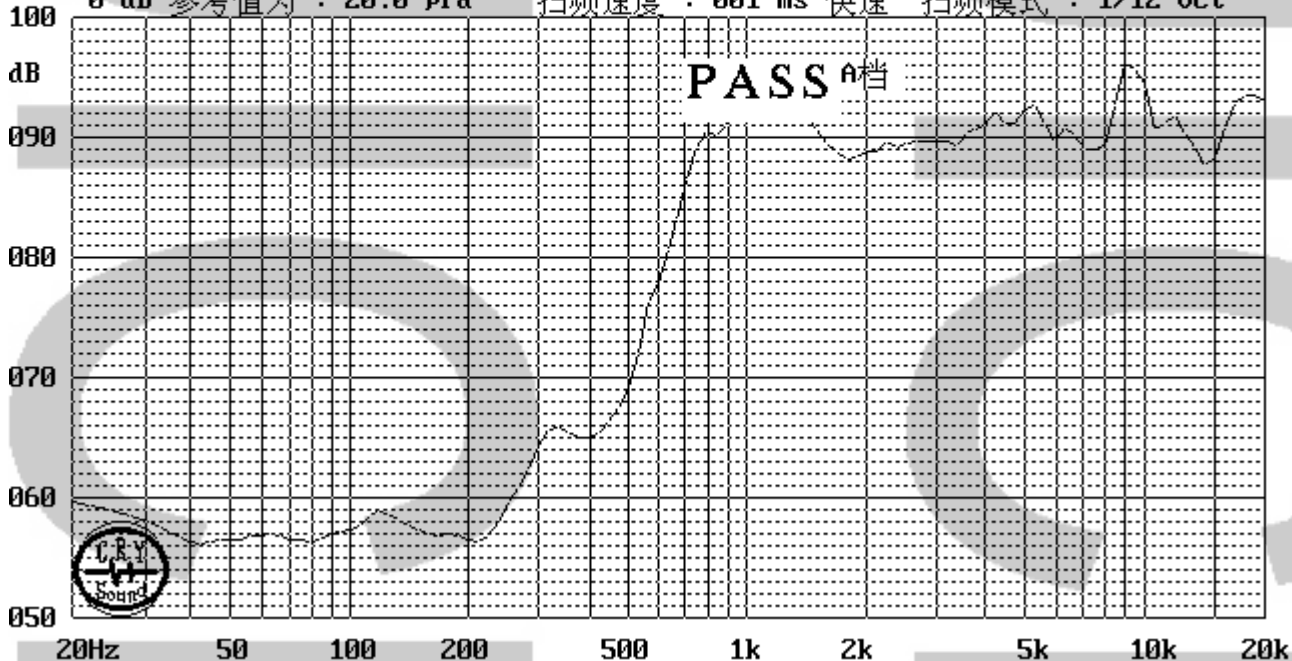
CRY6125Y 扬声器测试仪 V91

无框

滤波器1次

DCR= _____ Ω 0 1000Hz灵敏度 : 094.13 dB ACZ: _____ Ω Qm: _____
 Veq= _____ dm3 →0 平均灵敏度 : 090.95 dB Zm : _____ Ω Qe: _____
 Dist.=100 cm F0 : _____ Hz Qt: _____

型号: _____
 0 dB 参考值为 : 20.0 μPa 扫频速度 : 001 ms 快速 扫频模式 : 1/12 Oct



CHANGES						
	NO.	DATE	BEFORE	AFTER	REASON OF CHANGE	SIGN.