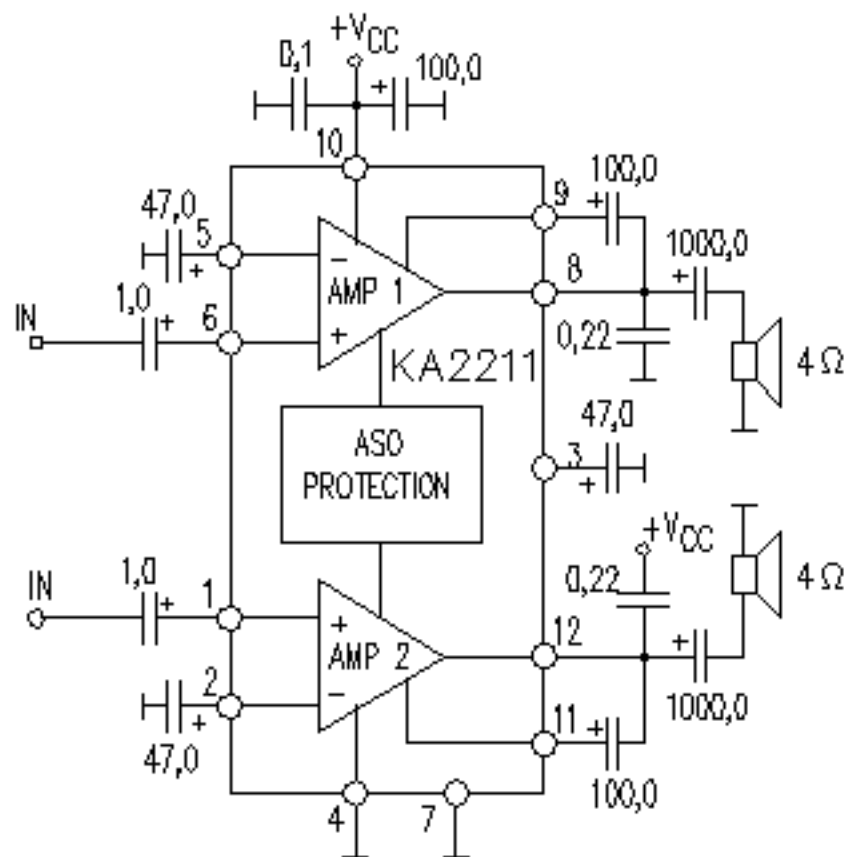


# KA2211

## AF POWER AMPLIFIER

### 2x5,8W



$V_{CC\ MAX} = 25V$

$V_{CC\ TYP} = 13,2V$

$V_{CC\ RNG} = 10...18V$

$P_O = 2 \times 5,8W$

$R_L = 4\ \Omega$

$TDH = 10\%$

$I_{CCO\ TYP} = 80mA$

$I_{CCO\ MAX} = 145mA$

$I_{MAX} = 3,5A$

$R_{IN} = 33k$

Gain = 52dB

Noise = 1,5  $\mu V$

$R_{TH-C} = -$

Case SIP12H1