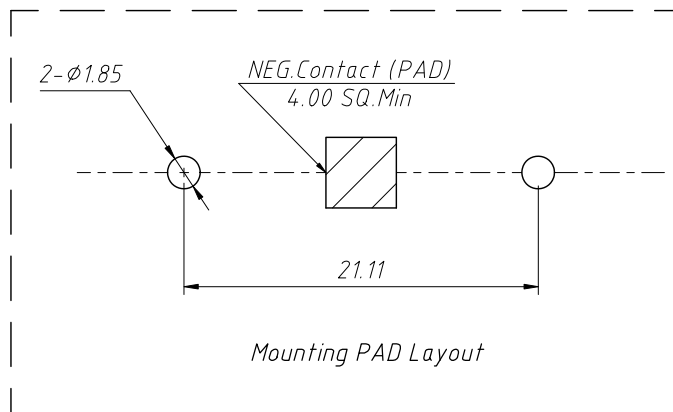
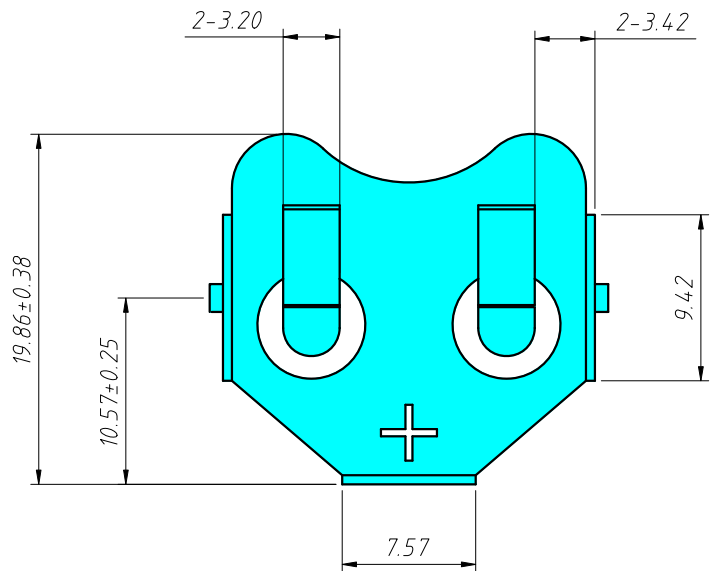


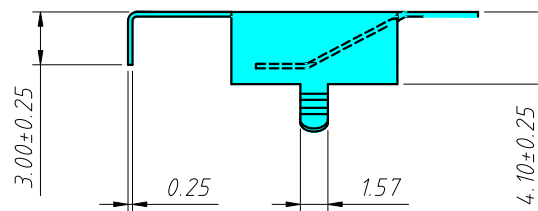
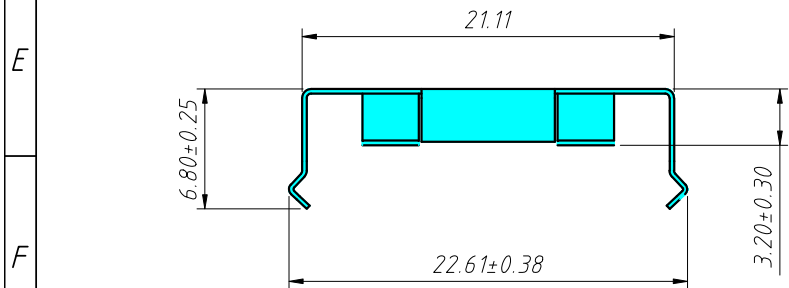
1 RoHS Compliance



Order Information:

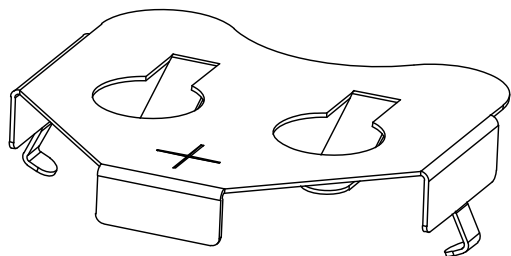
L-KLS5-CR2032-09B

L: RoHS
 CR2032 Coin
 Battery Holder
 Part Number
 Packing: B-PVC blister



Electrical Characteristics:
 Contact Resistance: 30mΩ Max
 Insulator Resistance: 1000MΩ Min
 Dielectric Voltage: 500V AC One Sec Level
 Operating Temperature: -25°C ~ +85°C

Notes:
 1.RoHS Compliant



ANGLE TOLERANCE	PROJECTION	Description:	CR2032 COIN CELL RETAINERS	
±3°				
GENERAL TOLERANCE	UNITS	mm	KLS P/N:	L-KLS5-CR2032-09B
x.x ±0.30	SHEET SIZE	A4		
x.xx ±0.20	Draw:	Daniel	2022-03-01	NingBo KLS ELECTRONIC CO.,L TD.
x.xxx ±0.10	Check:	Daniel	2022-03-01	