



ORDERING CODE

JV R 07 N 181 K 6 5 Y AW

Joyin ZnO Varistor  
久尹氧化鋅壓敏電阻

R / H = EPOXY Coating &  
Operating Temperature 85°C  
C = EPOXY Coating , Copper electrode &  
Operating Temperature 85°C  
T = Silicone Coating &  
Operating Temperature 125°C

Element Size (disc dia.)  
瓷片直徑別

- 05 = φ 5mm
- 07 = φ 7mm
- 10 = φ 10mm
- 14 = φ 14mm
- 20 = φ 20mm
- 25 = φ 25mm

Series 系列別

- N=Standard 標準系列
- S=High Surge 高突波電流系列
- U=Ultra Surge 超高突波電流系列

Varistor Voltage 電壓值

The first two digits indicate voltage.  
前兩位數字代表電壓

The third digit signifies the number of zeroes.  
第三位數字代表電壓0的次數

for example 例如 :

- 080=8V
- 180=18V
- 181=180V
- 182=1800V

Varistor Voltage Tolerance

壓敏電壓容許差

- K = ± 10%
- L = ± 15%
- M = ± 20%
- P = ± 25%

Lead Diameter

線徑

- 6 = 0.6 ± 0.05mm
- 8 = 0.8 ± 0.05mm
- 1 = 1.0 ± 0.05mm

Lead Length & Packaging  
腳長及包裝方式

- 50 = 5 ± 1.0mm for Straight lead
- 5 ± 0.5mm for Kink lead
- U4 = 24mm min. for Bulk and Kink lead
- U5 = 25mm min. for Bulk and Straight lead
- AW= H0 16mm for Ammo and Kink lead
- AY = H0 20mm for Ammo and Straight lead
- RW= H0 16mm for T/R and Kink lead
- RY = H0 20mm for T/R and Straight lead

\* Special spec per request.

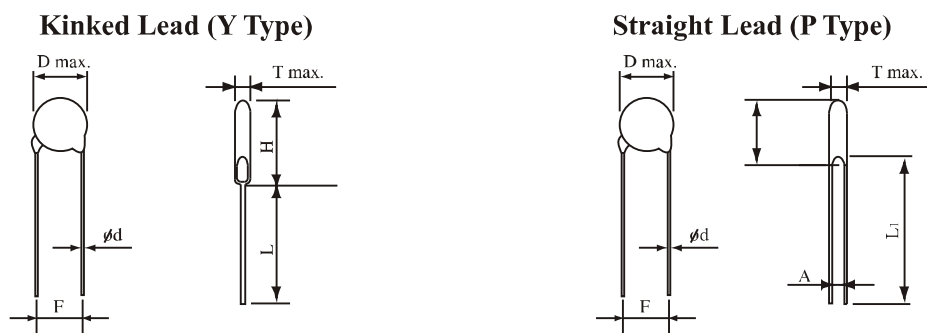
Lead Style 腳型

- Y=Vertical Kink Lead (standard)
- P= Straight Lead

\* Special lead styles per request

Lead Spacing 線距

- 5=5.0mm
- 7=7.5mm
- 1=10mm



Dimension Table

unit:mm

Diameter	5mm	7mm	10mm	14mm	20mm
D max.	7.5	9.0	12.5	16.5	23
d±0.05	0.6	0.6	0.8	0.8	1.0
F±1.0	5.0	5.0	7.5	7.5	10.0
H max.	11.0	13	18/*19	22/*23	28/*29
L <sub>1</sub> min.	25.0	25.0	25.0	25.0	25.0
L min.	24.0	24.0	24.0	24.0	24.0

\*Just for 182K

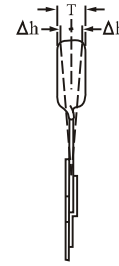
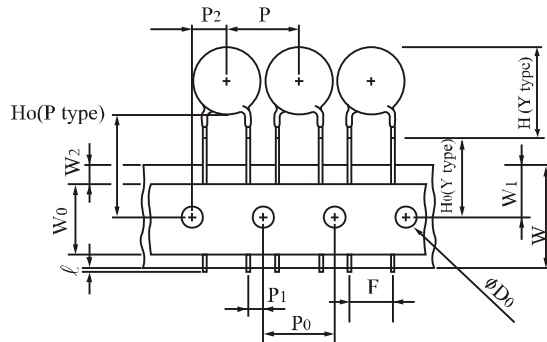
Table of T max., A & H<sub>1</sub> max.

unit:mm

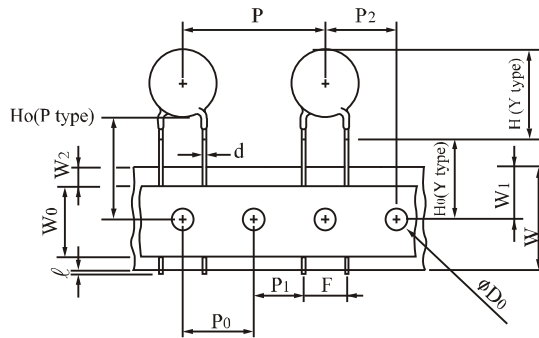
Diameter	5mm			7mm			10mm			14mm			20mm		
	T max.	A±0.8	H <sub>1</sub> max.	T max.	A±0.8	H <sub>1</sub> max.	T max.	A±0.8	H <sub>1</sub> max.	T max.	A±0.8	H <sub>1</sub> max.	T max.	A±0.8	H <sub>1</sub> max.
180M	4.5	0.8	10.5	4.5	0.8	12.0	4.9	0.8	15.5	5.0	0.9	19.5	-	-	-
220M/L	4.5	0.9	10.5	4.5	0.9	12.0	4.9	0.9	15.5	5.0	1.0	19.5	5.3	1.0	26.5
270M/K	4.7	0.9	10.5	4.7	0.9	12.0	5.1	0.9	15.5	5.2	1.1	19.5	5.4	1.1	26.5
330M/K	4.7	1.0	10.5	4.7	1.0	12.0	5.1	1.0	15.5	5.2	1.2	19.5	5.4	1.2	26.5
390L/K	4.7	1.2	10.5	4.7	1.2	12.0	5.1	1.2	15.5	5.2	1.4	19.5	5.4	1.4	26.5
470L/K	5.0	1.2	10.5	5.0	1.2	12.0	5.5	1.2	15.5	5.6	1.4	19.5	5.6	1.4	26.5
560L/K	5.0	1.4	10.5	5.0	1.4	12.0	5.5	1.4	15.5	5.6	1.6	19.5	5.6	1.6	26.5
680L/K	5.5	1.7	10.5	5.5	1.7	12.0	6.0	1.7	15.5	6.1	1.9	19.5	6.1	1.9	26.5
820K	3.8	0.8	10.5	3.8	0.8	12.0	4.3	0.8	15.5	4.4	1.0	19.5	5.0	1.1	26.5
101K	3.9	0.8	10.5	3.9	0.8	12.0	4.4	0.8	15.5	4.5	1.0	19.5	5.1	1.2	26.5
121K	4.1	0.9	10.5	4.1	0.9	12.0	4.5	0.9	15.5	4.6	1.1	19.5	5.3	1.3	26.5
151K	4.5	1.2	10.5	4.5	1.2	12.0	4.9	1.2	15.5	5.1	1.4	19.5	5.6	1.6	26.5
181K	4.1	1.0	10.5	4.1	1.0	12.0	4.5	1.0	15.5	4.7	1.2	19.5	5.2	1.4	26.5
201K	4.2	1.0	10.5	4.2	1.0	12.0	4.6	1.0	15.5	4.8	1.2	19.5	5.3	1.4	26.5
221K	4.3	1.1	10.5	4.3	1.1	12.0	4.7	1.1	15.5	4.9	1.3	19.5	5.4	1.5	26.5
241K	4.4	1.1	10.5	4.4	1.3	12.0	4.8	1.3	15.5	5.0	1.5	19.5	5.5	1.7	26.5
271K	4.6	1.3	10.5	4.6	1.4	12.0	5.0	1.4	15.5	5.2	1.5	19.5	5.7	1.9	26.5
301K	4.8	1.3	10.5	4.8	1.5	12.0	5.2	1.6	15.5	5.4	1.7	19.5	5.9	2.1	26.5
331K	4.9	1.3	10.5	4.9	1.5	12.0	5.3	1.6	15.5	5.5	1.7	19.5	6.0	2.1	26.5
361K	5.1	1.8	10.5	5.1	1.9	12.0	5.5	1.9	15.5	5.7	2.1	19.5	6.2	2.3	26.5
391K	5.3	2.0	11.0	5.3	2.0	12.5	5.7	2.2	16.0	5.9	2.2	20.0	6.4	2.4	26.5
431K	6.1	2.1	11.0	6.1	2.0	12.5	6.5	2.5	16.0	6.7	2.5	20.0	7.2	2.7	26.5
471K	6.4	2.2	11.0	6.4	2.3	12.5	6.8	2.6	16.0	7.0	2.7	20.0	7.5	2.9	27.0
511K	6.6	2.5	11.5	6.6	2.5	13.0	7.0	3.1	16.5	7.2	3.1	20.5	7.7	3.3	27.0
561K	6.9	2.8	11.5	6.9	2.8	13.0	7.3	3.4	16.5	7.5	3.4	20.5	8.0	3.6	27.0
621K	7.2	3.1	11.5	7.2	3.1	13.0	7.6	4.0	16.5	7.8	3.8	20.5	8.3	4.1	27.0
681K	7.5	3.4	11.5	7.5	3.4	13.0	8.0	4.4	16.5	8.2	4.1	20.5	8.7	4.4	27.0
751K	7.9	3.7	11.5	7.9	3.7	13.0	8.4	4.4	16.5	8.6	4.3	20.5	9.1	4.5	27.0
781K	-	-	-	8.1	3.9	13.0	8.6	4.6	16.5	8.8	4.6	20.5	9.3	4.8	27.0
821K	-	-	-	8.3	4.1	13.0	8.8	4.6	16.5	9.0	4.6	20.5	9.5	4.8	27.0
911K	-	-	-	-	-	-	9.4	5.4	16.5	9.6	5.4	20.5	10.1	5.7	27.0
102K	-	-	-	-	-	-	9.9	5.4	16.5	10.1	5.6	20.5	10.7	5.8	27.0
112K	-	-	-	-	-	-	10.5	5.7	16.5	10.7	6.1	20.5	11.2	6.3	27.0
122K	-	-	-	-	-	-	10.9	6.3	17	10.9	6.7	21	11.3	6.9	27.5
142K	-	-	-	-	-	-	11.9	7.4	17.5	11.9	7.8	21.5	12.8	8.0	28.0
162K	-	-	-	-	-	-	13.1	8.6	18.0	13.1	9.0	22.0	13.7	9.2	28.5
182K	-	-	-	-	-	-	14.3	9.8	18.5	14.3	10.2	22.5	14.7	10.4	29.0

Tape and Reel Dimensions

1/2" pitch



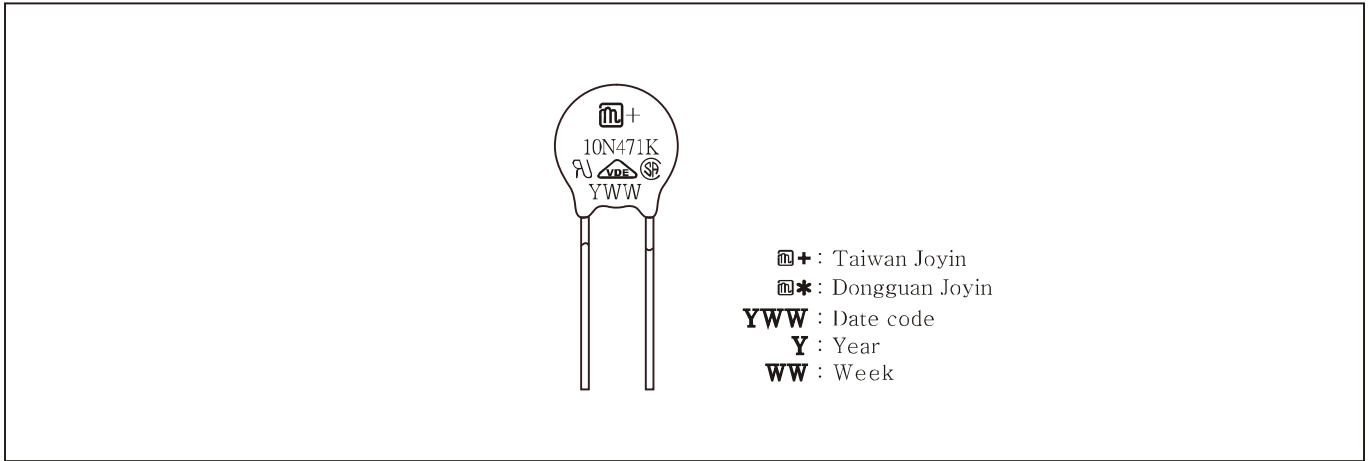
1.0" pitch



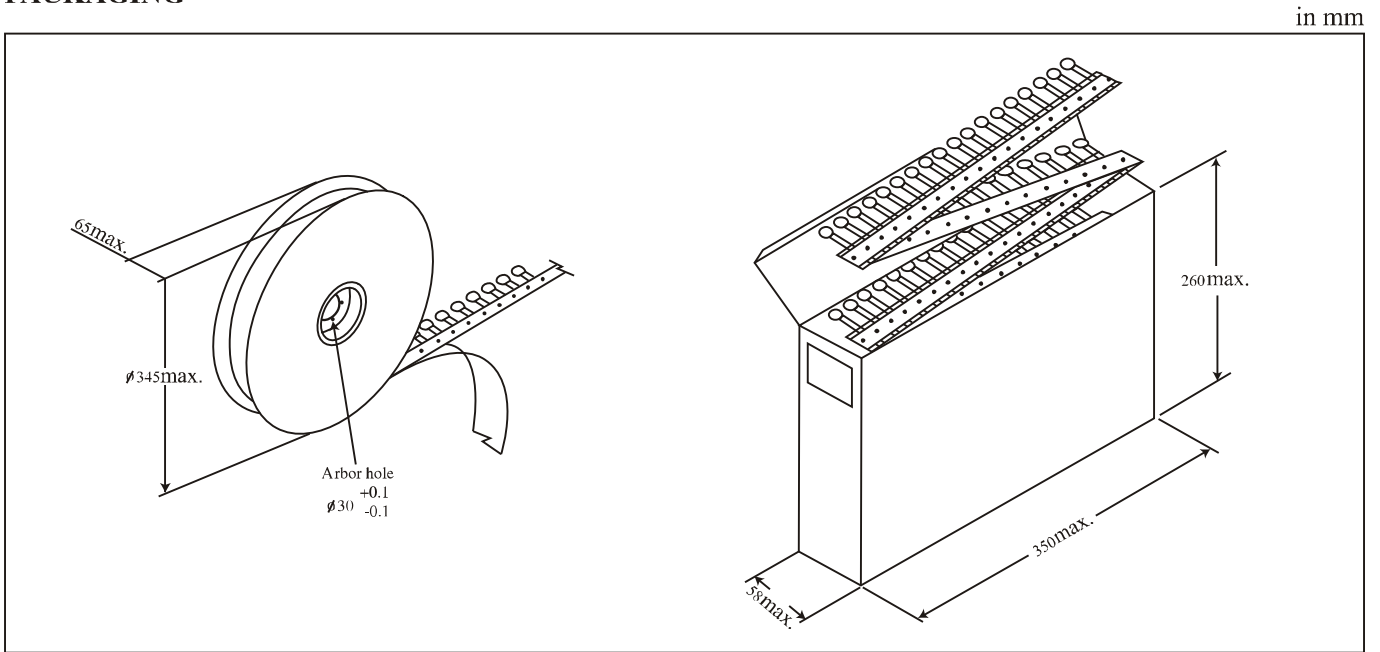
Symbols	Item	5 / 7 mm	10 / 14 mm	20 mm
$\ell$	Cut out length	1.1 mm max.	1.1 mm max.	
H (Y type)	Height of Top	See H max. table		
Ho(Y type)	Height to seating plane	16.0±0.5mm(*±1.0mm)	16.0±0.5mm(*±1.0mm)	
Ho(P type)	Height of component from hole center	16.0~21.0 mm	16.0~21.0 mm	
$\Delta h$	Front to back deviation	0 ± 2.0 mm	0 ± 2.0 mm	
W	Carrier tape width	18.0 <sup>+1.0</sup> / <sub>-0.5</sub> mm	18.0 <sup>+1.0</sup> / <sub>-0.5</sub> mm	
W <sub>0</sub>	Hold down tape width	10.0 mm	12.0 mm	
W <sub>1</sub>	Sprocket hole position	9.0 <sup>+0.75</sup> / <sub>-0.5</sub> mm	9.0 <sup>+0.75</sup> / <sub>-0.5</sub> mm	
W <sub>2</sub>	Adhesive tape position	3.0 mm max.	3.0 mm max.	
F	Component lead spacing	5.0 <sup>+0.8</sup> / <sub>-0.2</sub> mm	7.5 <sup>+0.8</sup> / <sub>-0.2</sub> mm	10.0 <sup>+0.8</sup> / <sub>-0.2</sub> mm
P	Pitch of component	12.7 ± 1.0 mm	25.4 ± 1.0 mm	
P <sub>0</sub>	Sprocket hole pitch	12.7 ± 0.3 mm	12.7 ± 0.3 mm	
P <sub>1</sub>	Lead length from hole center to lead	3.85 ± 0.7 mm	8.95 ± 0.7 mm	7.7 ± 0.7 mm
P <sub>2</sub>	Length from hole center to disk center	6.35 ± 1.3 mm	12.7 ± 1.3 mm	
D <sub>0</sub>	Sprocket hole diameter	4.0 ± 0.2 mm	4.0 ± 0.2 mm	
d	Lead wire diameter	0.6 ± 0.05 mm	0.8 ± 0.05 mm	1.0 ± 0.05 mm
T	Disk thickness	See T max. table	See T max. table	
t <sub>1</sub>	Total thickness tape	0.7 ± 0.05 mm	0.7 ± 0.05mm	
t <sub>2</sub>	Total thickness	1.6 mm max.	1.8 mm max.	

\* for manual line

MARKING



PACKAGING



Quantity per Packing Unit

in Pcs

Part No.	Series	5mm			7mm			10mm			14mm			20mm		
		Bulk (box)	Reel	Ammo	Bulk (box)	Reel	Ammo	Bulk (box)	Reel	Ammo	Bulk (box)	Reel	Ammo	Bulk (box)	Reel	Ammo
180M~470K		5000	1500	1500	5000	1500	1500	2500	1000	500	1500	750	500	750	500	500
560K~680K		5000	1500	1000	5000	1500	1000	2500	1000	500	1500	750	500	750	500	500
820K~391K		5000	1500	1500	5000	1500	1500	2500	1000	500	1500	750	500	750	500	500
431K~471K		5000	1500	1000	5000	1000	1000	2000	750	500	1500	750	500	750	500	500
511K~821K		4000	1000	1000	4000	1000	1000	1500	500	500	750	500	500	450	500	500
911K-122K		-	-	-	-	-	-	1500	500	350	750	500	350	450	-	-
142K-182K		-	-	-	-	-	-	750	-	-	450	-	-	300	-	-

Packaging	Bulk (box)	Reel	Reel (14mm, 20mm)	Ammo (5mm, 7mm)	Ammo (10mm, 14mm)	Ammo (20mm)
Box size (mm)	290x155x110	350x350x105	346x346x72	335x245x43	347x246x50	348x255x60
Carton size (mm)	328x310x250	370x370x590	370x370x468	515x354x258	515x364x246	535x365x275
One carton with	4 Boxes	5 Boxes (10 reels)	6 Boxes(6 reels)	10 Boxes	8 Boxes	8 Boxes