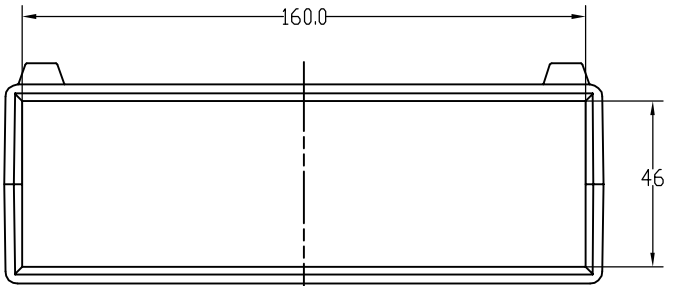
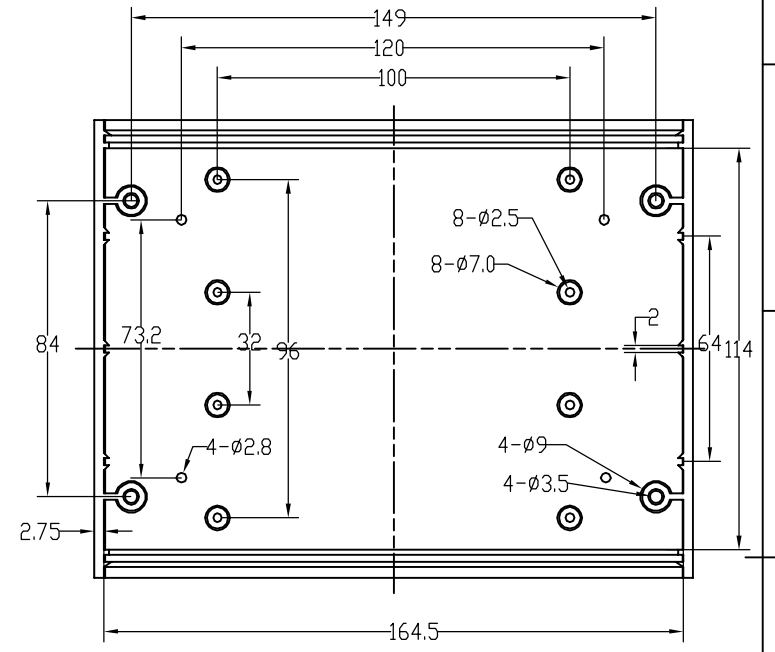



A-A



Drawing	Auditing	Confirm	Custom Name	Material
			Product Name	Drawing Scale
			Product Code	15-6
			Project View	 (mm)
				A2