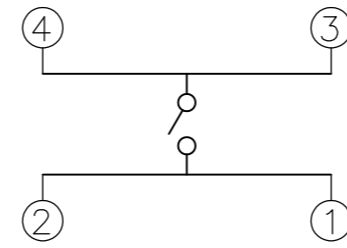
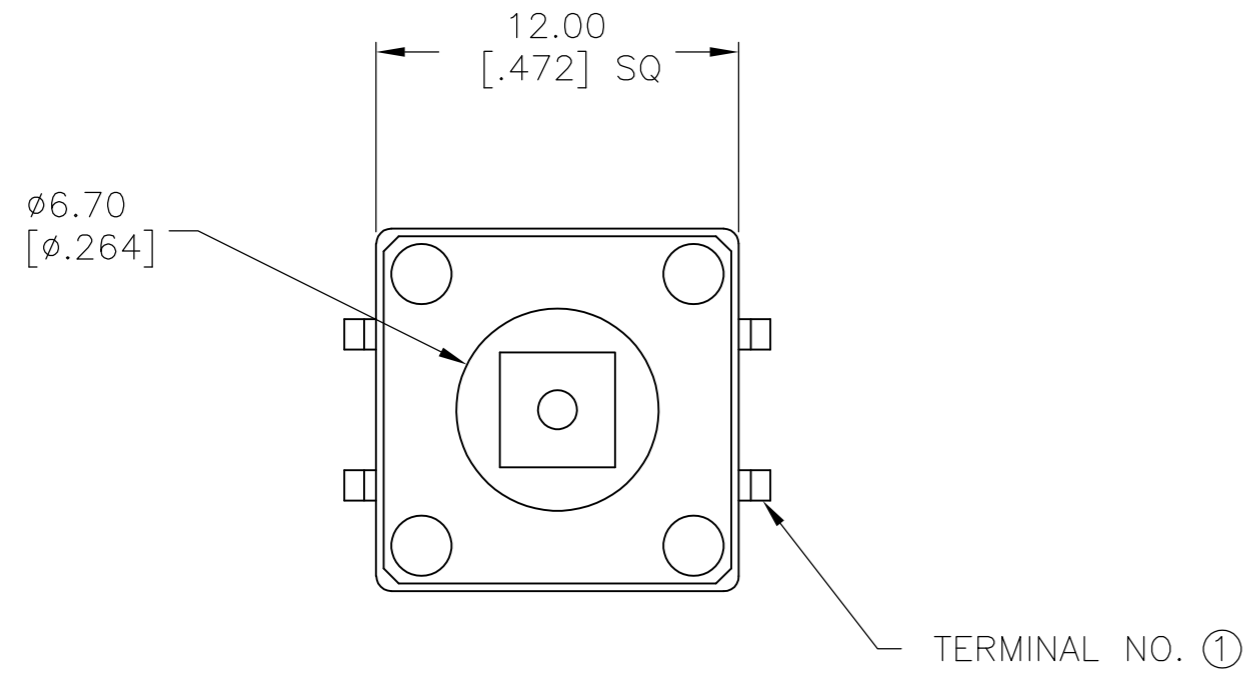


THIS DRAWING IS UNPUBLISHED. RELEASED FOR PUBLICATION 1437565-5, 1437565-5  
 © COPYRIGHT 1437565-5 ALL RIGHTS RESERVED.

LOC	DIST	REVISIONS			
P	LTR	DESCRIPTION	DATE	DWN	APVD
AD	00	E2 REVISED PER ECO-11-004587	11MAR11	RK	HMR



CIRCUIT DIAGRAM

NOTE: TERMINAL NUMBERS ARE FOR REFERENCE ONLY AND DO NOT APPEAR ON SWITCHES.

**SPECIFICATIONS:**

**MATERIALS:**

CASE: PBT G30, 94HB, BLACK.  
 COVER: PET FILM.  
 ACTUATOR BUTTON: ACETAL, BLACK.  
 MOVING CONTACT: PHOS.BRONZE, SILVER CLAD.  
 FIXED CONTACT/TERMINAL: BRASS. SILVER PLATE.

**ELECTRICAL:**

MAX CONTACT RATING: 50MILLIAMPS@24V DC  
 MIN CONTACT RATING: 10MICROAMPS@1V DC  
 CONTACT RESISTANCE: 100 MILLIOHMS MAX.  
 INSULATION RESISTANCE: 100 MEGOHMS MIN. @ 100 VDC.  
 DIELECTRIC STRENGTH: 500 VAC  
 LIFE EXPECTANCY: 100,000 CYCLES MIN.

**MECHANICAL:**

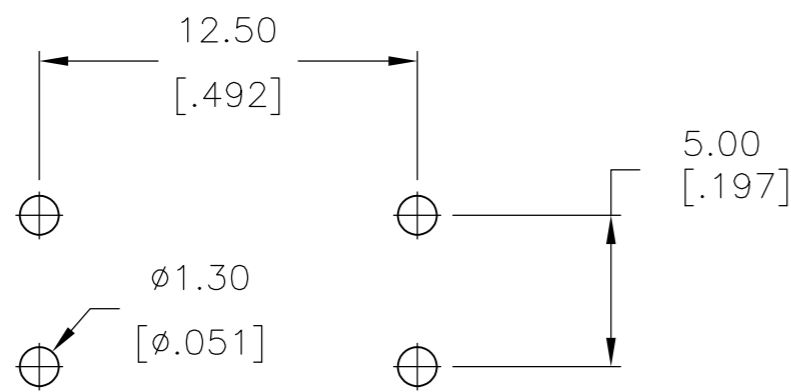
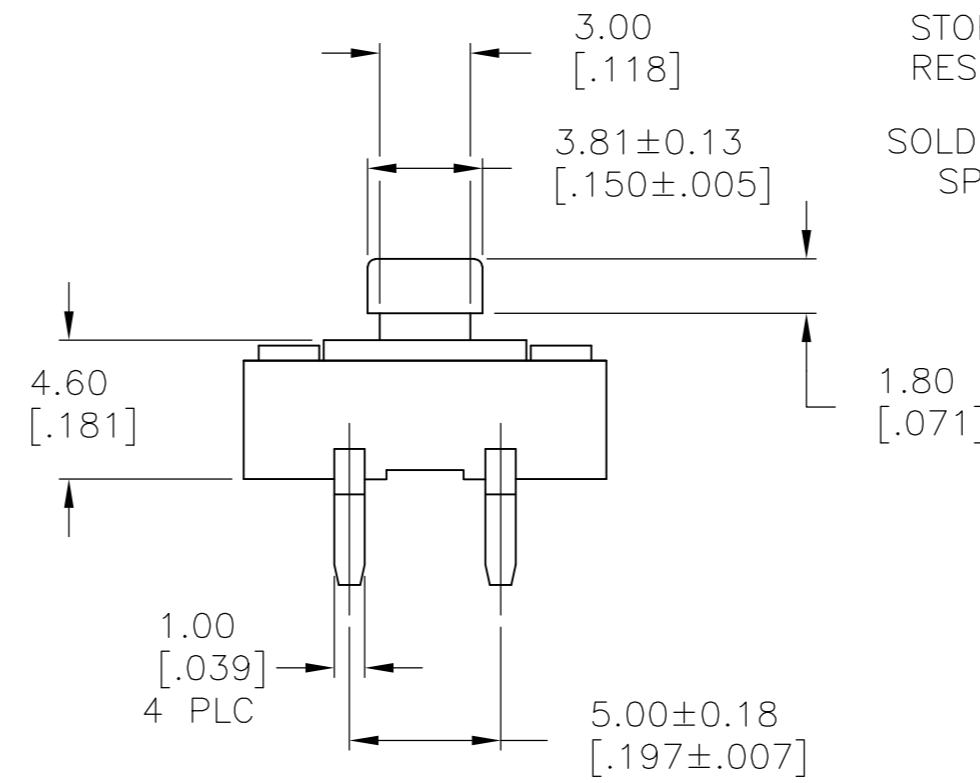
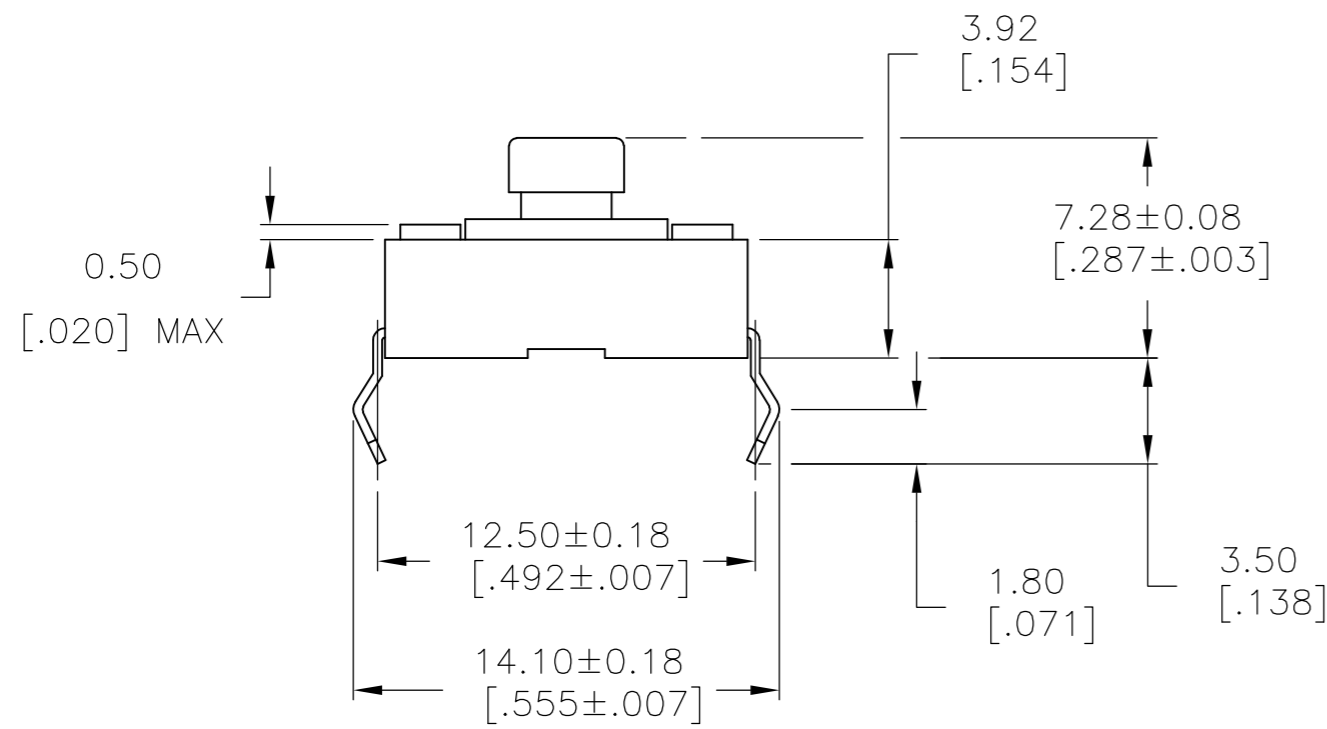
ACTUATION FORCE: 160 ±30 GRAMS.  
 ACTUATION TRAVEL: 0.30mm (.012 in.) APPROX.

**ENVIRONMENTAL:**

OPERATING TEMPERATURE: -35°C TO +85°C.  
 STORAGE TEMPERATURE: -35°C TO +85°C.  
 RESISTANCE TO SOLDER HEAT PER 109-202, COND B 265°C FOR 10 SECONDS

**SOLDERABILITY:**

SPECIFICATION EIA-364-52, CLASS II, CATEGORY 1



RECOMMENDED HOLE LAYOUT

TOLERANCE ±.002 UNLESS OTHERWISE NOTED

260±50g	RED	FSM103A	1571627-1
160±50g	BLACK	FSM103	1437565-5
ACTUATOR FORCE	ACTUATOR COLOR	FORMER T&B PART NUMBER	PART NUMBER

THIS DRAWING IS A CONTROLLED DOCUMENT.		DWN	12FEB04	TE Connectivity	
DIMENSIONS: mm [INCHES]		R BROWN	12FEB04		
TOLERANCES UNLESS OTHERWISE SPECIFIED:		CHK M SARVER	12FEB04		
0 PLC ± -		APVD M SARVER	12FEB04		
1 PLC ± -		PRODUCT SPEC			
2 PLC ± 0.30[.012]		APPLICATION SPEC		NAME FSM103 PUSHBUTTON SWITCH	
3 PLC ± -				SIZE A2	CAGE CODE -
4 PLC ± -		WEIGHT -		DRAWING NO. 1437565-5	
ANGLES ± -		CUSTOMER DRAWING		SCALE 4:1	SHEET 1 of 1
FINISH -				REV E2	