

FYL- 3014SURC1A

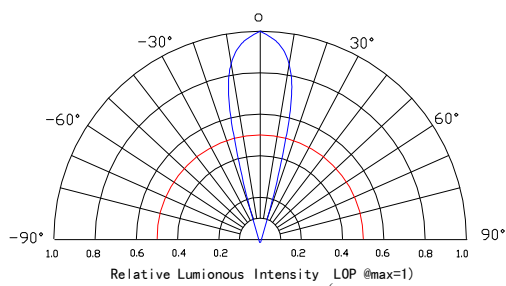
Features:

- High intensity
- General purpose leads
- RoHs compliant.

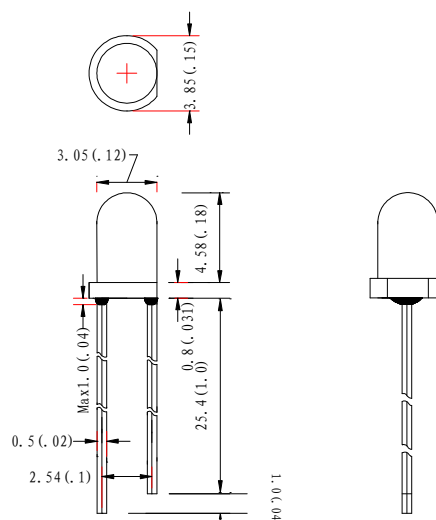
Descriptions:

- Dice material: AlGaInP
- Emitting Color: Super bright Red
- Device Outline: $\Phi 3\text{mm}$ Round Type.
- Lens Type: water clear.

Radiation pattern.



Package configuration



- ◆ All dimensions are millimeters (inches)
- ◆ Tolerance is $\pm 0.25\text{mm}$ (.010") unless otherwise noted.

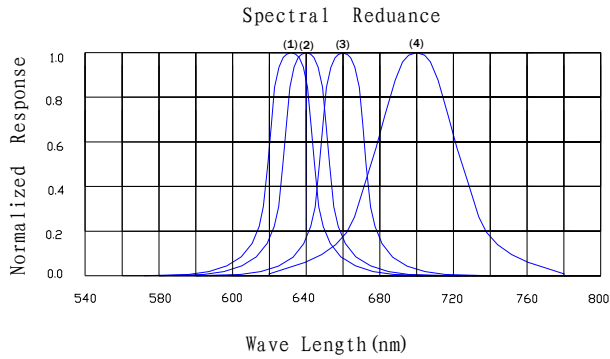
Absolute maximum ratings($T_a=25^\circ\text{C}$)

| Parameter | MAX. | Unit |
|---|---|----------------------|
| Power Dissipation | 50 | mW |
| Peak Forward Current (1/10 Duty Cycle, 0.1ms Pulse) | 100 | mA |
| Continuous Forward Current | 20 | mA |
| Derating Linear From 50°C | 0.4 | mA/ $^\circ\text{C}$ |
| Reverse Voltage | 5 | V |
| Operating Temperature Range | -30°C to $+80^\circ\text{C}$ | |
| Storage Temperature Range | -40°C to $+100^\circ\text{C}$ | |
| Lead Soldering Temperature[4mm(.157") From Body] | 260 $^\circ\text{C}$ for 5 Seconds | |

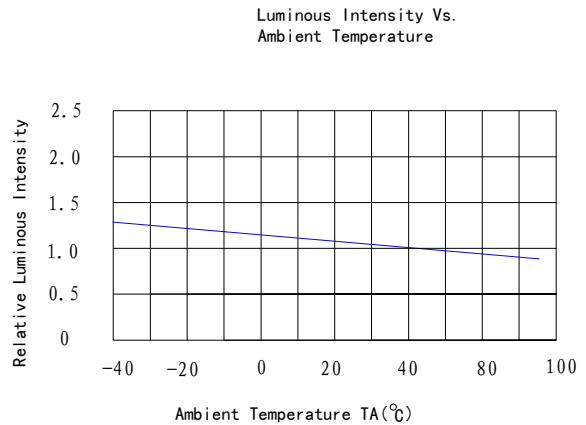
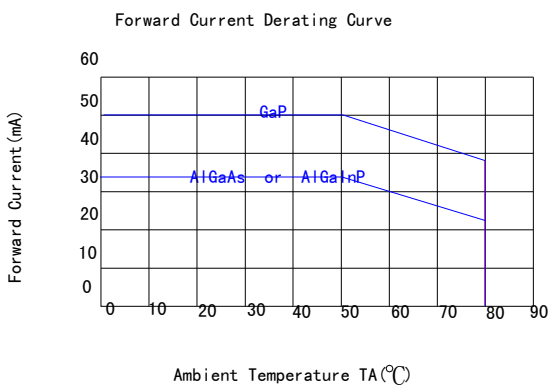
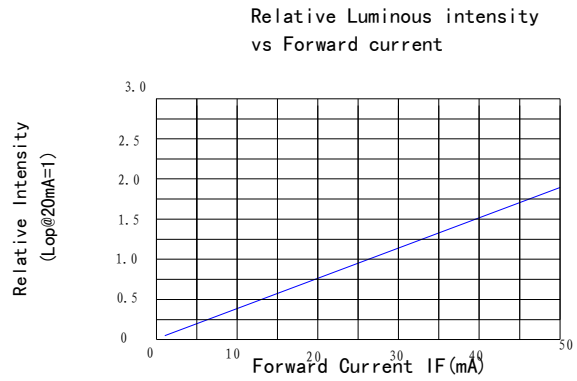
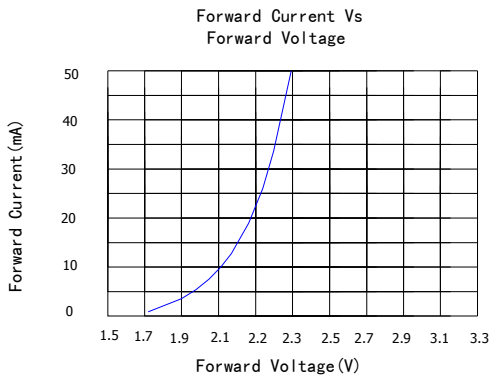
Electrical and optical characteristics($T_a=25^\circ\text{C}$)

| Parameter | Symbol | Min. | Typ. | Max. | Unit | Test Condition |
|--------------------------|------------------|------|------|------|---------------|----------------|
| Luminous Intensity | IV | - | 2200 | - | mcd | IF=20mA |
| Viewing Angle | 2 $\theta_{1/2}$ | 25 | 30 | 35 | Deg | |
| Peak Emission | λ_p | 625 | 630 | 635 | nm | |
| Dominant Wavelength | λ_d | 620 | 625 | 630 | nm | |
| Spectral Line Half-Width | $\Delta\lambda$ | 10 | 15 | 20 | nm | |
| Forward Voltage | VF | 1.5 | 1.9 | 2.4 | V | VR=5V |
| Reverse Current | IR | | | 50 | μA | |

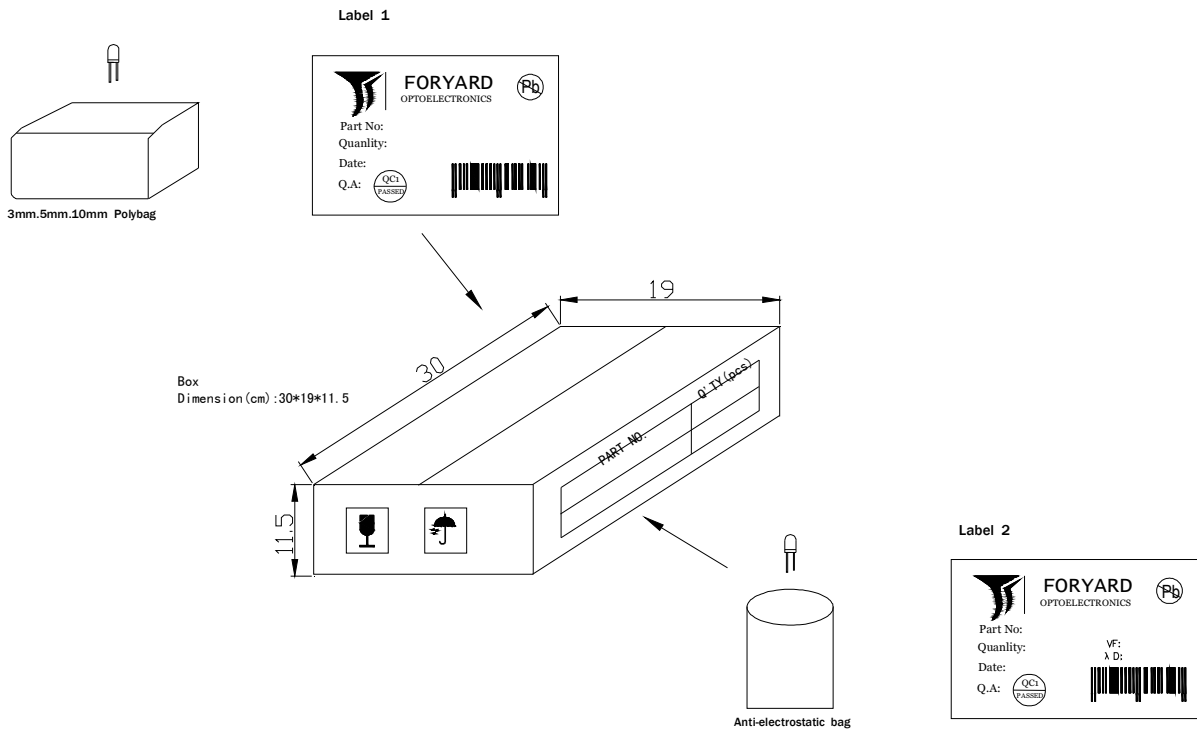
Typical Electrical Characteristics Curves (25 °c Ambient Temperature Unless Otherwise Noted)



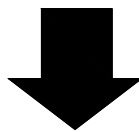
- (1) AlGaInP peak@630/Red
- (2) GaAsP/GaP peak@640nm /Red
- (3) AlGaAs/GaAs peak@660nm/Super Red
- (4) GaP peak@700nm/ Red



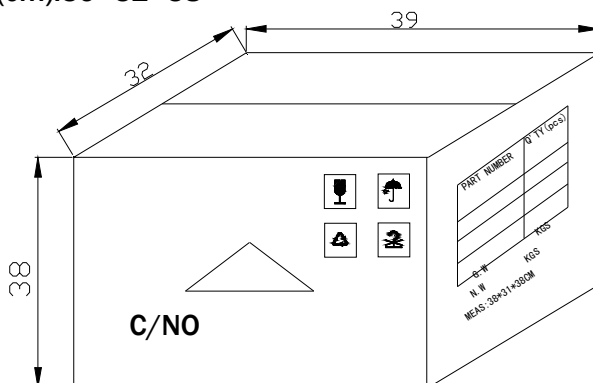
LAMP PACKING.



| DEVICE | QTY/polybag(pcs) | Polybag/box A | Fig |
|------------------|------------------|---------------|---------|
| 5mm(T-1 3/4) | 1000 | 8 bags | Label 1 |
| 3mm(T-1) | 1000 | 10 bags | Label 1 |
| 10mm(T-1) | 250 | 8 bags | Label 1 |
| Blue/Green/White | 500pcs | 8 bags | Label 2 |



CARTON
Dimension(cm):39*32*38



6 Boxes/Carton
 5mm:48,000pcs
 3mm:60,000pcs
 10mm:12,000pcs
 Blue/Pure Green/bluish Green
 /White:24,000pcs